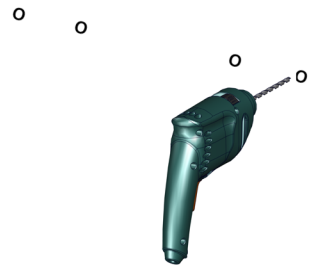
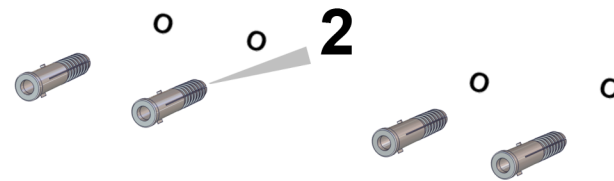


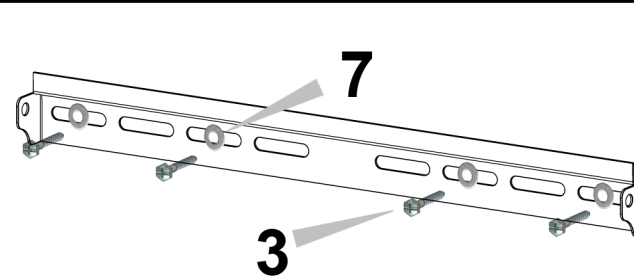
Level the mount and mark.



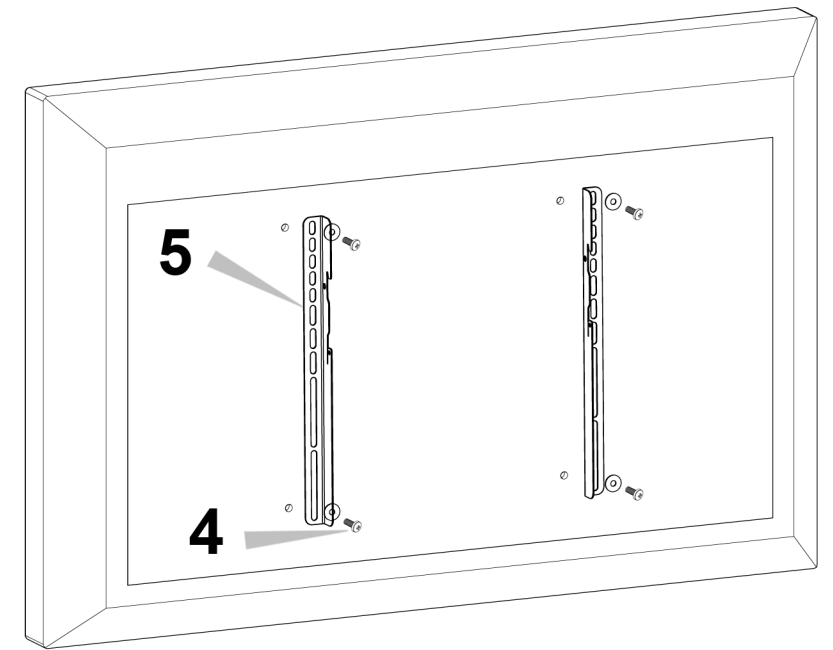
Drill the mounting holes.



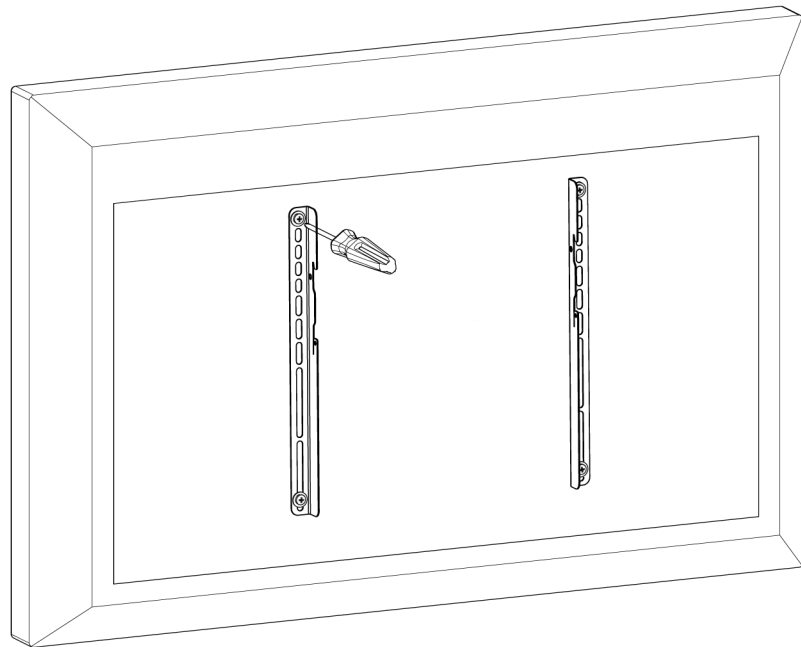
Insert the wall anchors\* to the wall and tap them flush with a hammer.  
\* Never use wall anchors on drywall



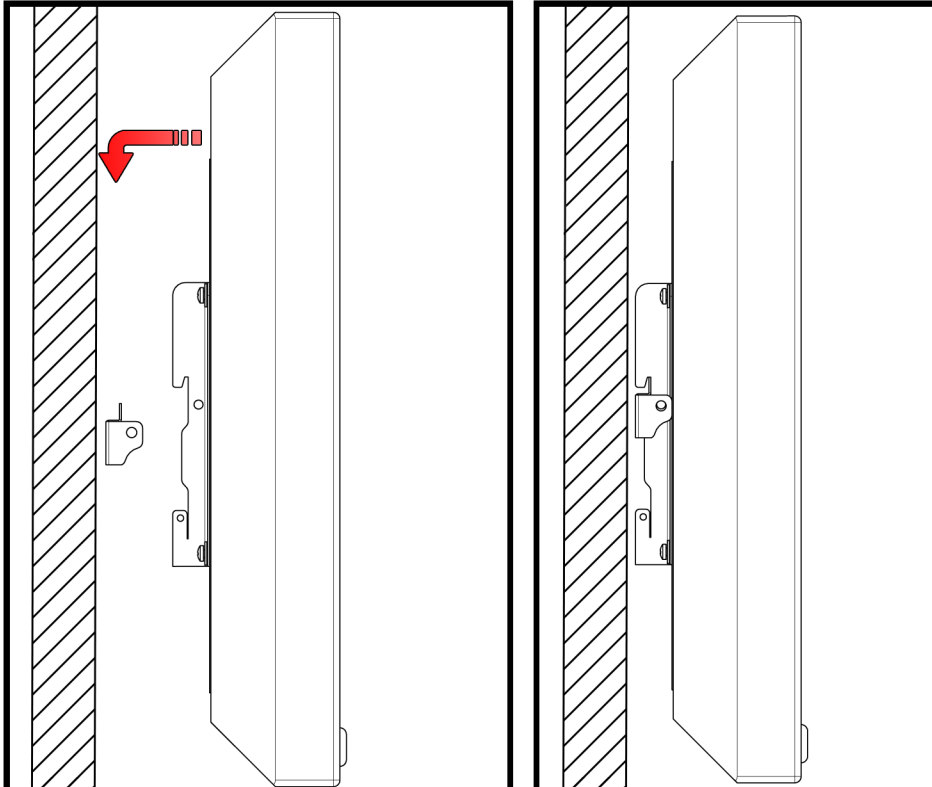
Fix the plate to the wall.



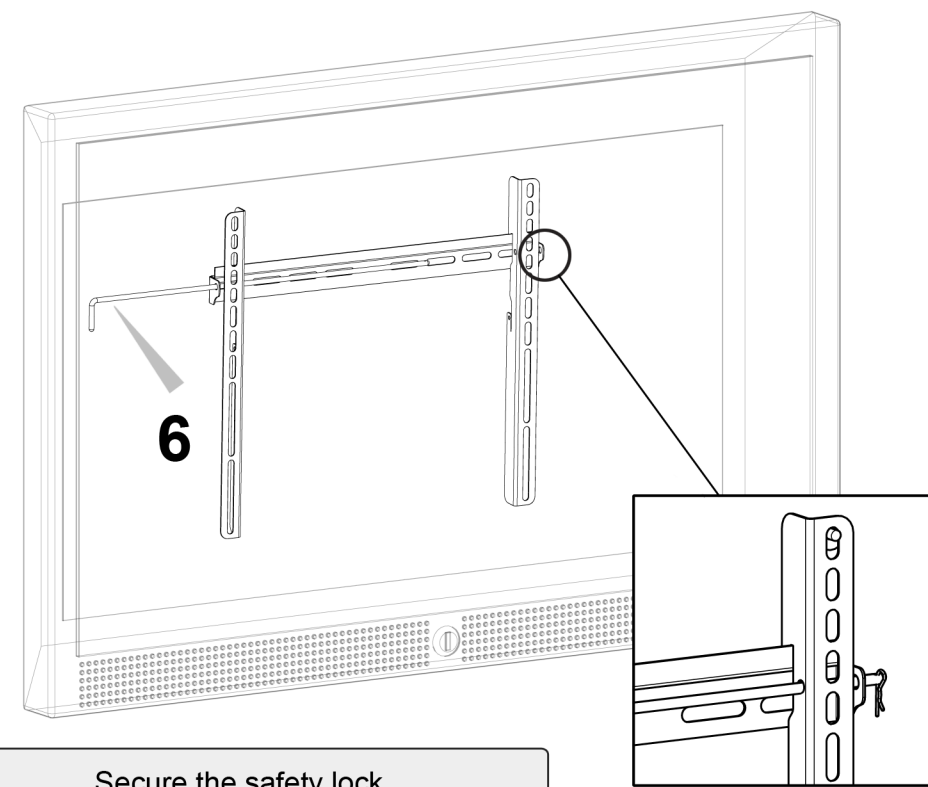
Attach the mounting rails to screen.  
- Ensure that each rail mounting slot is facing down.  
- Use the selected screws and washers to mount the rail to screen.



Tightly secure the mounting screws.



Mount screen to the wall.



Secure the safety lock.

